



Single Suspension Tension Clamp Danger Plate Ball Socket Clevis Eye Repair Sleeve ARMOUR ROD  
G Clamp, Earth Rod Vibration Damper ARMOUR ROD Mid Span Joint Danger Plate Suspension Clamp Ball  
sion Anchor Clamp Repair Sleeve Ball Socket Anchor Clamp Vibration Damper Mid Span Joint Stay Se  
Earthing Clamp Suspension Clamp Stay Set Insulation Piercing Connector Insulation Piercing Connecto  
Mechanical Stay Wire Connector Connector Service Dead End Clamp Anchor Bracket Pole Top Make Offs Wedge Clam  
es Bolts & Nuts Stay Wire Pole Clamps Steel Straps Tension Clamp Steel Straps Stay Wire Earthing  
el Cross Arms Insulator Fittings Eye Bolt Pole Top Make Offs Insulator Fittings Eye Bolt Pole Clamps  
et Tower Parts Clevis Eye Tie Straps Wedge Clamp Tie Straps Split Bolt Connector Binding Wire Stay Pl  
or Accessories Split Bolt Connector Tie Straps Split Bolt Connector Binding Wire Stay Pl  
Anchor Rods Machine Bolt Forged Steel Fittings Double Tension String Machine Bolt Forged Steel Fittings T  
Pole Numbering Plate Guy Thimble Barbed Wire Bimetallic Connectors Connectors, Service Dead End Clamp Steel  
Steel Cross Arms H Connector Bimetallic Connectors Guy Thimble H Connector Eye Bolt Cable Lugs Re

# COMPANY PROFILE

# KSE®

*The World of T & D Hardwares*



KSE – The complete One stop solution to all your

owned IT Division. Products are Type Tested as per

needs of Power Transmission & Distribution Line Materials.

**Founded in 1962**, A Generation Run Company, KSE started manufacturing Cable Accessories and then diversified into Transmission & Distribution Materials like Connectors, Line Hardwares, Galvanized Fabricated Steel Structures, Helically Shaped Fittings and Earthing Materials.

**World Class Infrastructure** in Excess of **500,000 Sq Feet** is located in Kolkata, India with ISO 9001 & 14001 Certifications, with Advanced Testing Facilities installed at company owned Laboratories inside the plant, capable of Testing Hardwares & Fittings upto 765 kV as per various International Standard.

**Strong Design & Engineering** – KSE deploys cutting edge technologies in R & D and all designs are made in 2D & 3D models. All process are powered by **SAP** which is implemented & maintained by company

International Standards in 3<sup>rd</sup> Party Labs like CPRI – India, IPH – Germany, SIRIM – Malaysia.

Winners of Several **Export Excellence Awards**. KSE is an Govt of India Recognized **STAR EXPORT HOUSE** with 60% of its Revenue from Exports.

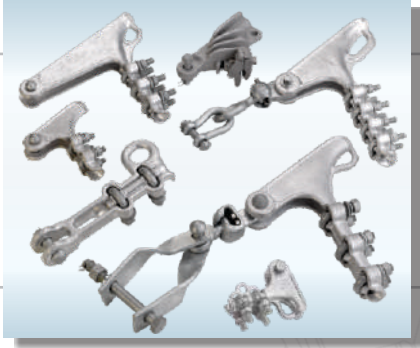
**Global Competence** – With Exports to more than 35 countries worldwide, KSE enjoys wide approval in Middle East & African Electrical Utilities and Resellers and Distributors appointed in Europe & ASEAN countries. **Own Subsidiary Office in Dubai, UAE** taking care of the Middle East & African Markets.

**Energizing the Nation** – KSE's products are used in almost India's entire Power sector in various projects, handled by various EPC Contractors, State Electricity Boards, Power Discoms, and their suppliers. KSE actively working in PGCIL approved projects and related EPC projects.

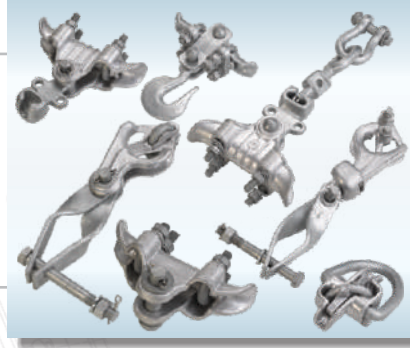
---



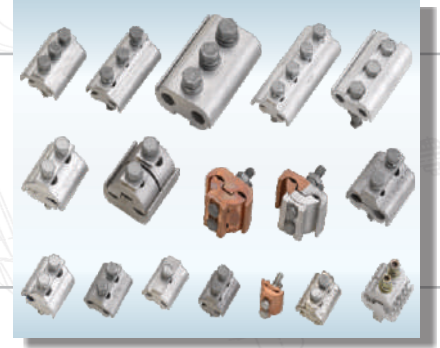
- 1962** – The company was formed as Klippon Systems & Electricals which started manufacturing Cable Accessories.
- 1972** – The company started full-fledged manufacturing of Cable Lugs & Connectors
- 1978** – Acquired a bigger Area of factory in Kolkata
- 1985** – By this time it was a well established Brand in India for Cable Lugs & Connectors
- 1990** – The company got approvals & big orders from Railways like CLW, DLW, (Locomotive Plants in India)
- 1992** – Started supplying materials to Exporters for Middle East & African countries.
- 1995** – The company started manufacturing Earthing Materials.
- 1997** – The company name was changed to KSE Electricals Pvt. Ltd.
- 1997** – Direct Export started with 1st Export made to Italy.
- 1998** – Huge Export Orders started flowing in from Bangladesh.
- 1999** – The company developed Helical Shaped Fittings for Asian Countries.
- 2000** – Another Manufacturing Unit was established to execute bigger Orders.
- 2002** – Received Various Export Orders from Middle East Countries, thereby making a direct presence in Gulf Market.
- 2004** – Develops Mechanical Screw Connectors for Underground Cable Joints
- 2005** – Certified to ISO 9001:2000 Quality Management System Standards.
- 2006** – Approval in Power grid - India to supply Overhead Line Fittings & Steel Structural Items.
- 2007** – Received Massive Export Order worth more than USD 17 Millions from Saudi Arabia.
- 2008** – Expanded the Manufacturing Facility by 25 %.
- 2008** – Sales Revenue Crossed USD 22 Million Mark (Indian Rs. 113 Crores)
- 2009** – Won The Star Performer Top Exporter Award on All India basis by EEPC.
- 2009** – Achieved Status of Govt. of India Recognized STAR EXPORT HOUSE.
- 2010** – Plant Expansion started for Additional New Plant adjacent to old One.
- 2010** – Type Tested Connectors as per IEC Standard in IPH, Berlin Germany.
- 2011** – Won The Star Performer Top Exporter Award on Regional basis by EEPC.
- 2011** – Certified to ISO 14001:2004 Quality Environmental Standards.
- 2012** – Performed Test for High Voltage Fittings for 400KV in CPRI India.
- 2013** – Opened wholly owned Subsidiary in Dubai, UAE.
- 2014** – Achieved Revenue of USD 25 Millions (INR 142 Crores).
- 2015** – Started International Trading Division.



Tension Clamp



Suspension Clamp



PG Clamp



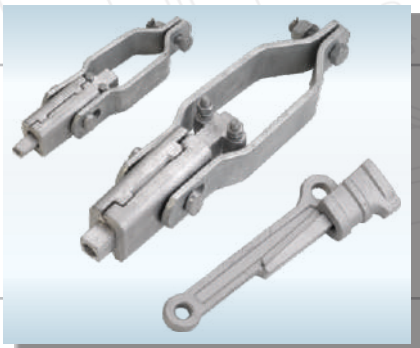
Eye Bolts



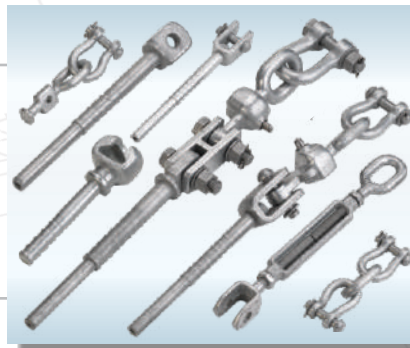
Fasteners



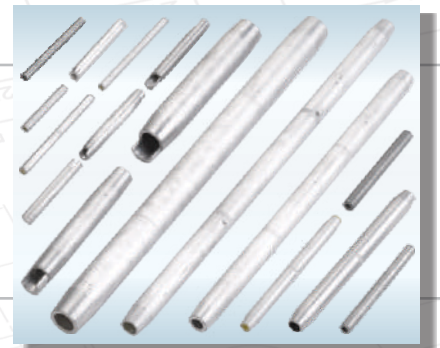
Insulator Fittings



Wedge Type Tension Clamp



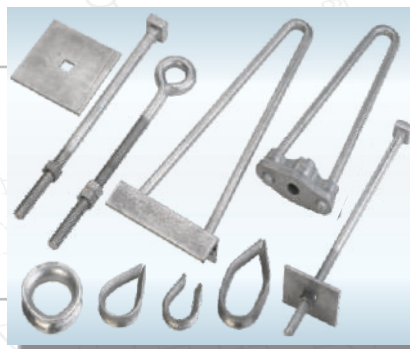
Forged Components



Mid Span Joint & Repair Sleeve



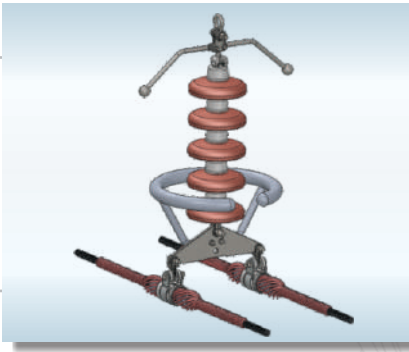
Hot Line Clamp



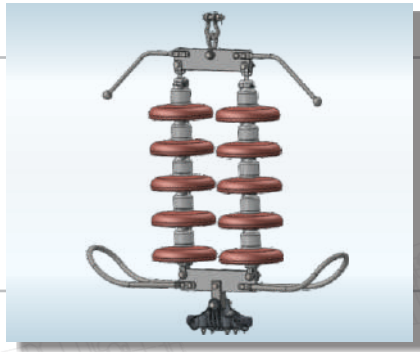
Stay Set



Insulator Pin



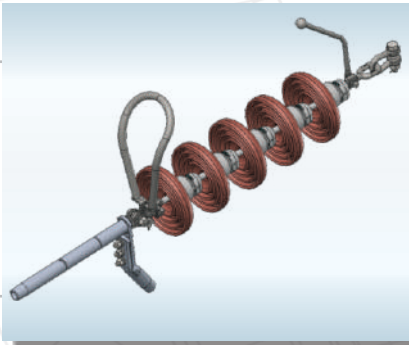
Single Suspension  
Twin Conductor



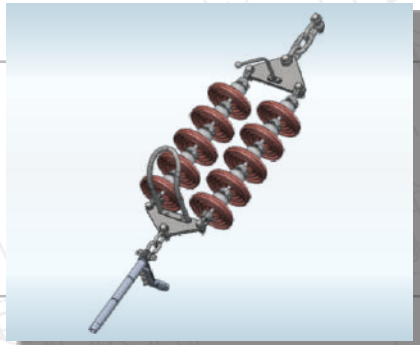
Double Suspension  
Single Conductor



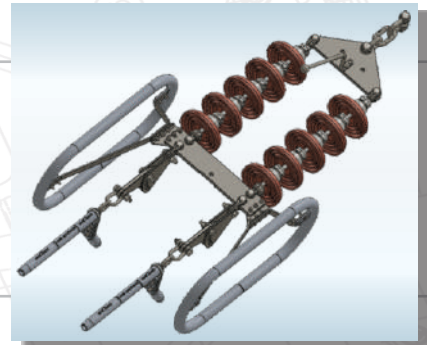
Single Suspension Set



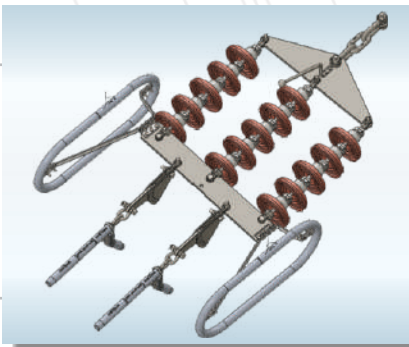
Single Tension Set



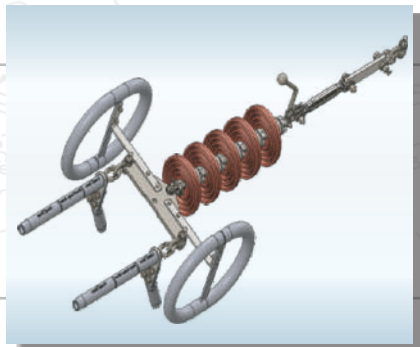
Double Tension Set



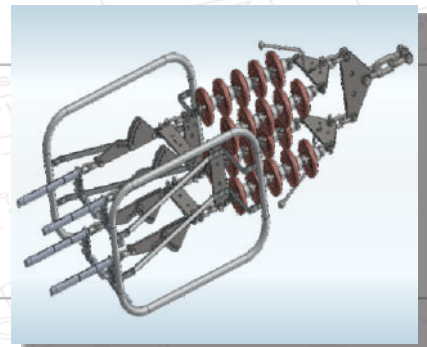
Double Tension  
Twin conductor



Triple Tension  
Twin Conductor



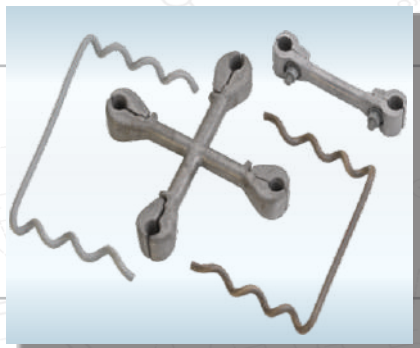
Single Tension  
Twin Conductor



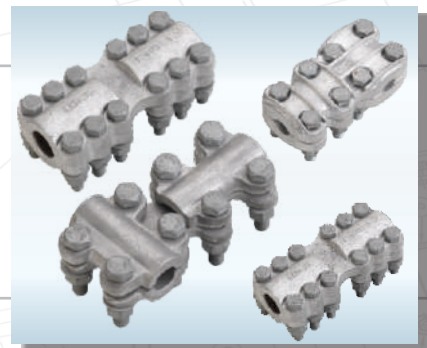
Quad Tension Set



Compression Dead End  
Clamp with Jumper



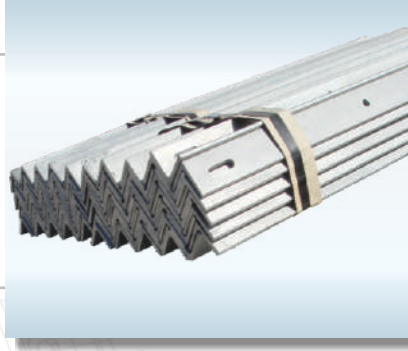
Rigid Spacer



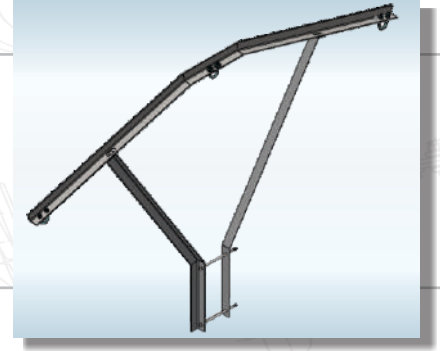
Sub Station Clamps



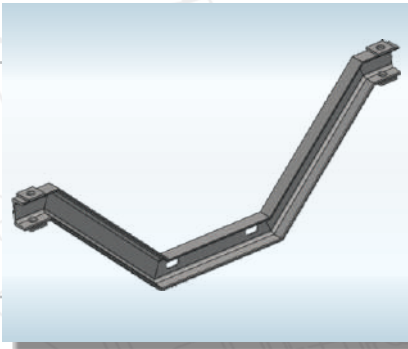
Channel Cross Arm



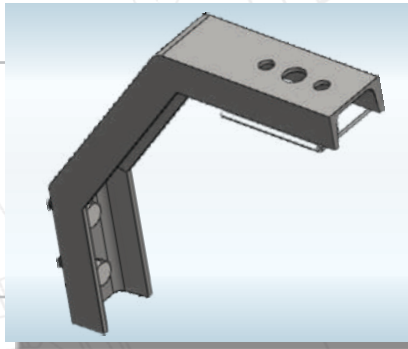
Angle Cross Arm



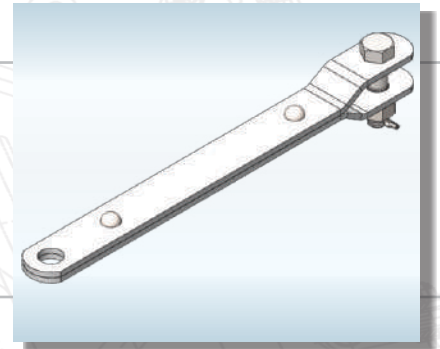
Umbrella Cross Arm



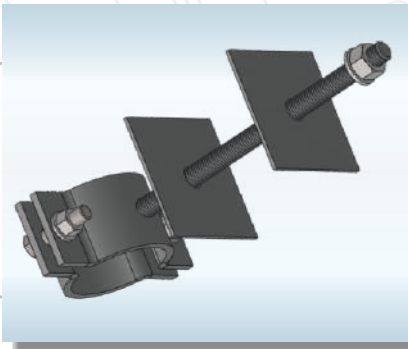
V Shape Channel Cross Arm



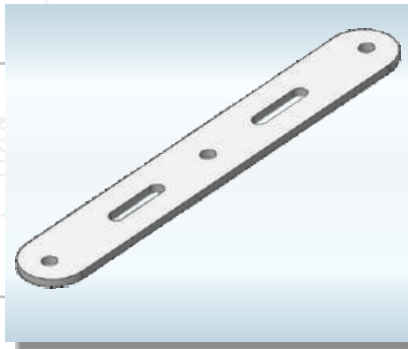
Channel Suspension Bracket



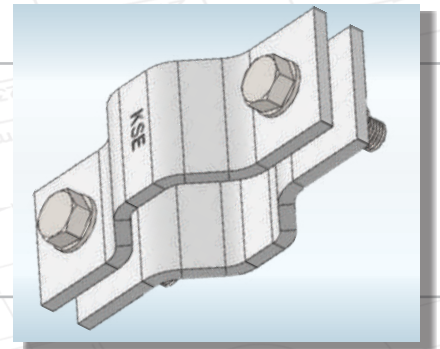
Clevis Eye Extension



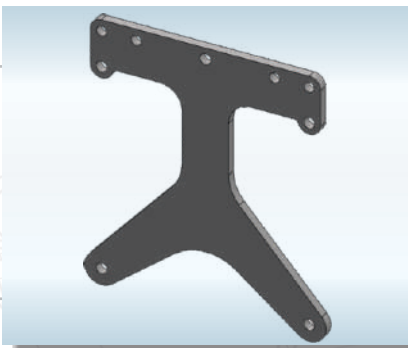
Wall Through Clamp



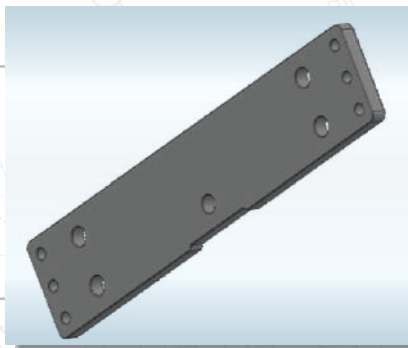
Double Arming Plate



Pole Bracket



Yoke Plate



Yoke Plate



Steel Brackets & Ties

# ABC Cable Fittings



Insulation Piercing Connectors



Insulated Sleeves



Suspension Clamps  
For Insulated Messenger



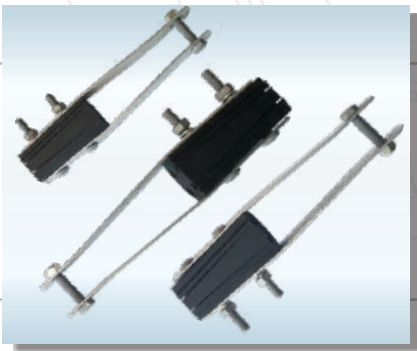
Dead End Clamps  
For Bare Messenger



Dead End Clamps  
For Insulated Messenger



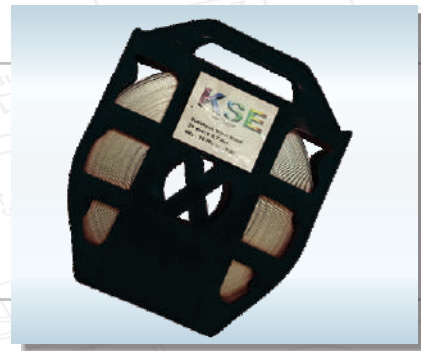
Suspension Clamps



Dead End Clamp  
Self Supported Type



Suspension Clamp  
Self Supported Type



Stainless Steel Band Strap



Dead End Hooks



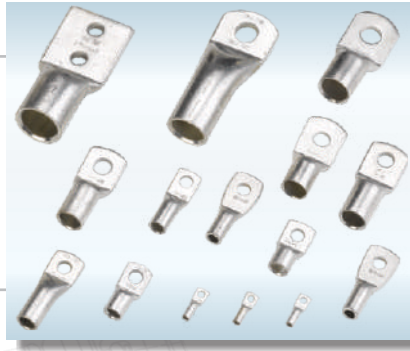
Bolted Type  
Dead End Clamps



Pole Brackets



4 Hole Copper Lugs



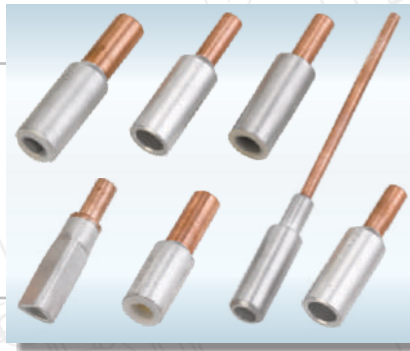
Copper Lugs



Aluminium Lugs



Bimetallic Lugs



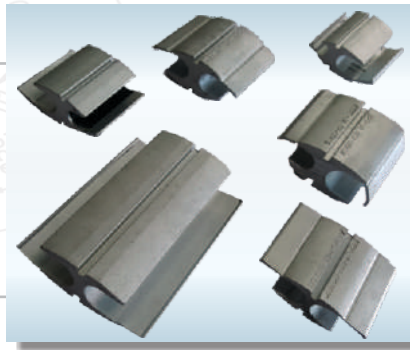
Bimetallic Ferrules



Ferrules



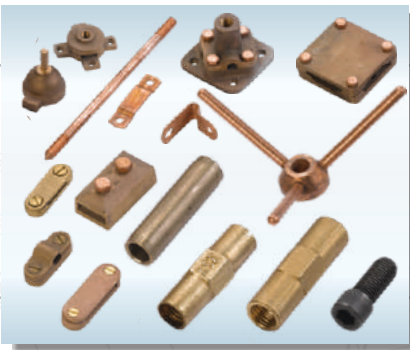
C Type Earthing Connectors



H Type Compression Connectors



Earthing Rod



Earthing Fittings



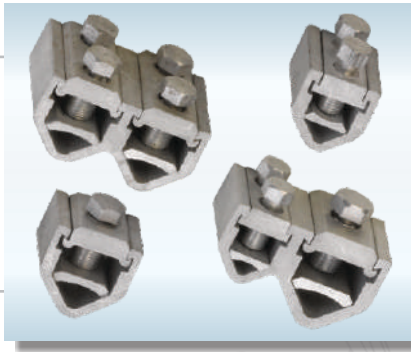
Earthing Clamps



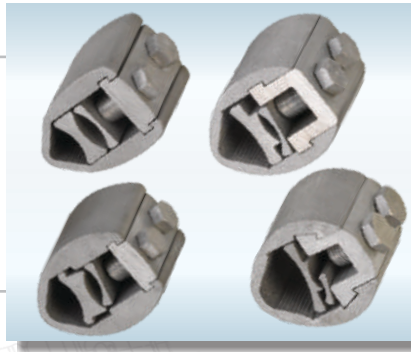
HDG Earthing Materials



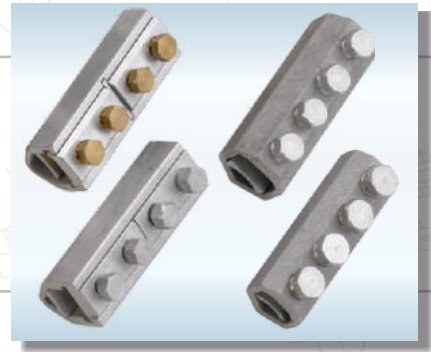
# Mechanical Screw Connectors



Branch Connectors  
(Mains & Service)



Branch Connectors  
(For Heat Shrink Joints)



Straight Through Connectors



MV Screw Connectors



MV Screw Connectors



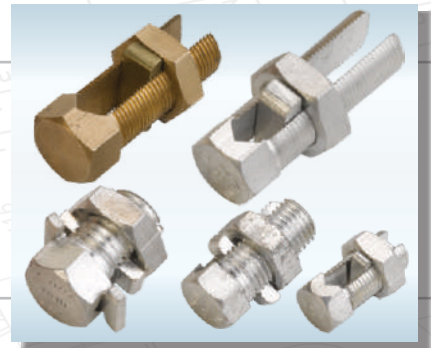
MV Screw Connectors



MV Tap Connectors



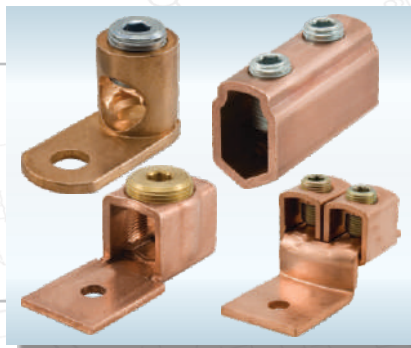
MV Screw Connectors



Split Bolt Connectors



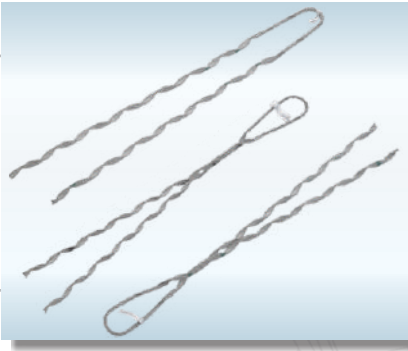
Mechanical Cable Lugs



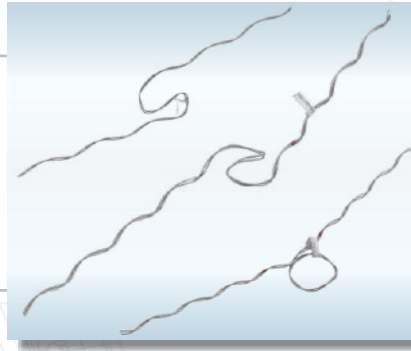
Mechanical Terminating Lugs



Mechanical Screw  
Terminal Block



Guy Grip



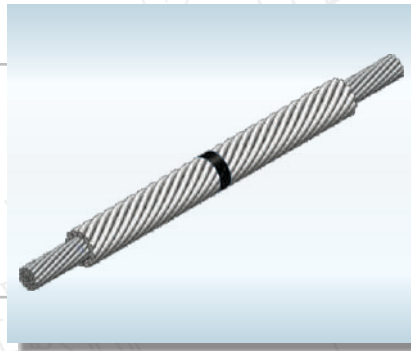
Top Tie, Side Tie



Line Spacer



AGS Clamp



Line Guard



Armor Rod



Tongue & Clevis End Fitting



Ball & Socket End Fitting



Post Insulator End Fittings



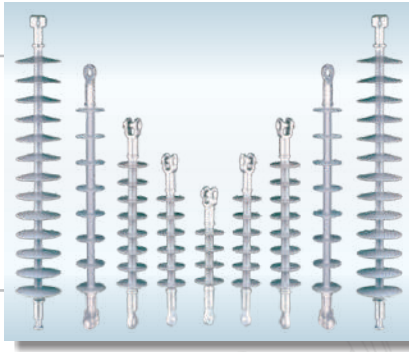
Pin Insulator Head



Post Insulator Base



Y Clevis End Fitting



Composite Insulators



Porcelain Insulators



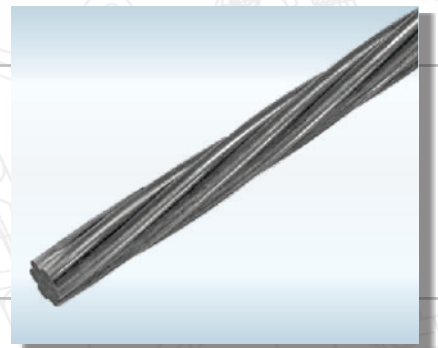
Glass Insulators



Insulated Cables



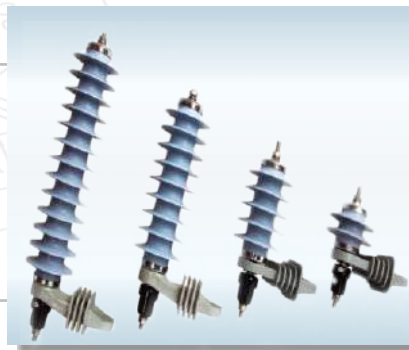
AAC, AAAC, ACSR  
Conductors



Earth Guy, Stay Wire



Expulsion Fuse Gear



Surge Arrester



Fuse Cut Out



Transformer



Energy Meters



MCB, MCCB

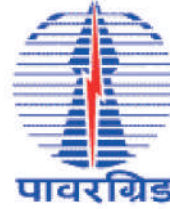
# Few Valued Customers

**KSE®**  
The World of T&D Hardwares

**ABB**

**AREVA**

**SIEMENS**



**एनटीपीसी  
NTPC**

**JYOTI STRUCTURES LTD.**



**KEC International Ltd.**

**BSES**



**TATA**

**BAJAJ**

**Godrej S P M L**  
Engineering Life

**Raychem**

**ICOMM™**  
www.icomm.biz.com



**شركة تنمية نفط عُمان**  
Petroleum Development Oman



**الشركة السعودية للكهرباء**  
Saudi Electricity Company

**هيئة كهرباء ومياه دبي**  
Dubai Electricity & Water Authority



**دولة الكويت**  
State of Kuwait  
**وزارة الكهرباء والماء**  
Ministry of Electricity & Water



**KAHRA MAA**  
**كهرماء**  
المؤسسة العامة القطرية للكهرباء والماء  
Qatar General Electricity & Water Corporation  
better living حياة أفضل

**HEDNO**



**Angelique International Limited**  
PROJECT ENGINEERING, PROCUREMENT AND CONSTRUCTION COMPANY



**Govt. Recognised**  
**" STAR EXPORT**  
**HOUSE"**

**Winner of**  
**National Awards for**  
**Export Excellence**

**Connectors Type**  
**Tested as per**  
**IEC 61238-2003**  
**at IPH, Germany**

**Annual Revenue in Excess of USD 30 Millions**

**Exports to more than 35 Countries World Wide**

**Government of India Recognized STAR EXPORT HOUSE**

**Winners of Several Export Excellence Awards**

**ISO 9001 & ISO 14001 Certified**

**Wide Approvals & Acceptance in Various Countries**

**Type Tested Materials in IPH - Germany to IEC Standard**

**Type Tested Materials in CPRI- Bangalore to International standards**

**Manufacturing Facility of 500,000 Square Feet**

Double Tension String Single | Suspension Tension Clamp Danger Plate Double Tension String Single  
Guy Grips PG Clamp, Earth Rod Vibration Damper ARMOUR ROD Mid Span Joint Danger Plate Guy Grips  
Earth Wire Suspension Anchor Clamp Repair Sleeve Ball Socket Side Tie Earth Wire Suspension  
Cable Lugs Earthing Clamp Suspension Clamp Stay Set Insulation Piercing Connector Cable Lugs  
Guard Mechanical Screw Connector Connectors, Service Dead End Clamp Anchor Bracket Line Guard Mech  
Nut Sub Station Steel Structures Bolts & Nuts Stay Wire Pole Clamps Eye Nut Sub Station Steel Structure  
Insulator Spindle Channel Cross Arms Insulator Fittings Eye Bolt Steel Straps Insulator Spindle Chann  
Binding Wire Socket Eye Tension Set Clevis Eye Tie Straps Wedge Clamp Binding Wire Socket Eye Tension S  
Strain Clamps Conductor Accessories Split Bolt Connector Pole Top Make Offs Strain Clamps Conduct  
Double Arming Plate Tower Parts Anchor Rods Machine Bolt Forged Steel Fittings Double Arming Plate Anchor Shackl  
p Tie Anchor Shackle Stay Plate Guy Thimble Steel Cross Arms Bimetallic Connectors Twisted Clevis Top Tie Stay Plate P  
Twisted Clevis Stay Insulators Ground Rod Clamp Barbed Wire Cable Ties Stay Insulators Ground Rod Clamp  
Steel Pipe Cable Ties Pole Numbering Plate H Connector Steel Pipe

## **KSE ELECTRICALS (P) LTD.**

Chatterjee International Centre,  
33A, Chowringhee Road, 7<sup>th</sup> Floor,  
Suite-2, Kolkata-700 071, INDIA  
Tel : +91-33-7185 6000  
Email : [info@kse.in](mailto:info@kse.in)  
Website : [www.kse.in](http://www.kse.in)



## **KSE ELECTRICALS DMCC**

2801, Fortune Tower,  
Cluster C, Jumeriah Lake Towers,  
PO Box 9572, Dubai, UAE  
Tel : +9714 4206 905  
Fax : +9714 4201 739  
Email : [info@kse.in](mailto:info@kse.in) Website : [www.kse.in](http://www.kse.in)

